



s.100 / s.101 - 3 way

3-way hot forged 1/4" - 2"
brass ball valve



Quality

- Chrome plated brass ball for longer life
- UNI 8858 cycle and torque tests performed

Body

- Hot forged sand blasted nickel plated brass body and caps
- 3- way T (s.100) or L (s.101) design allows complete range of flow handling applications
- Copper alloy brass according to EN 12165 and EN 12164 specifications

Stem

- Maintenance-free, double two NBR O-rings at the stem for maximum safety

Sealing

- Four seats design limits mixture among various fluids in the system
- PTFE seats

Threads

- ISO 228 female threads

Flow

- Extra port for lowest pressure drop

Working pressure & temperature

- See non- shock cold working pressure on chart
- -10°C/ + 120°C
- **WARNING:** freezing of the fluid in the installation may severely damage the valve

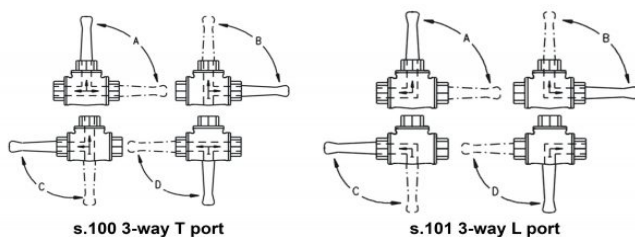
PED directive

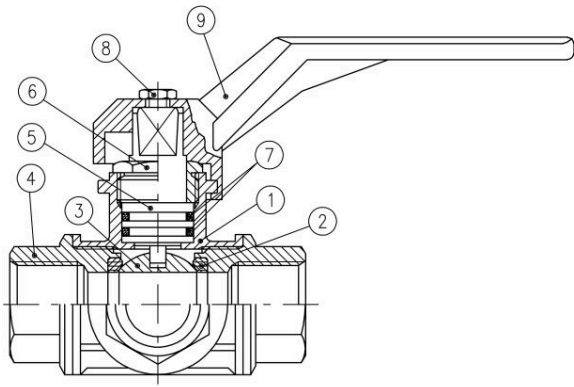
- The product described in this document meets the requirements of PED Directive 2014/68/UE and according to art.4 par.3, it does not require CE marking; it cannot be used with dangerous gases in sizes larger than 25mm; it cannot be used with non-dangerous gases in size larger than 32 mm

Approved by or in compliance with

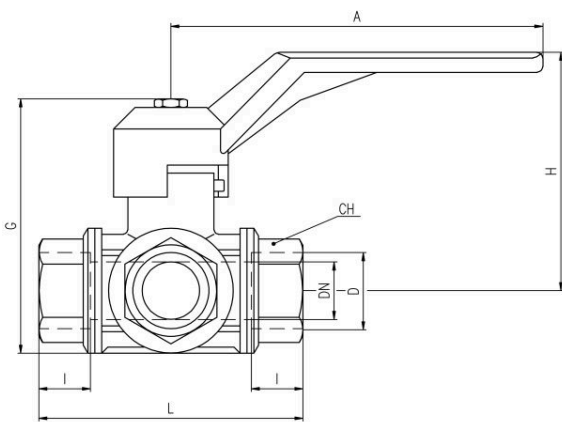
- GOST-R (Russia)

NOTE: approvals apply to specific configurations/ sizes only.



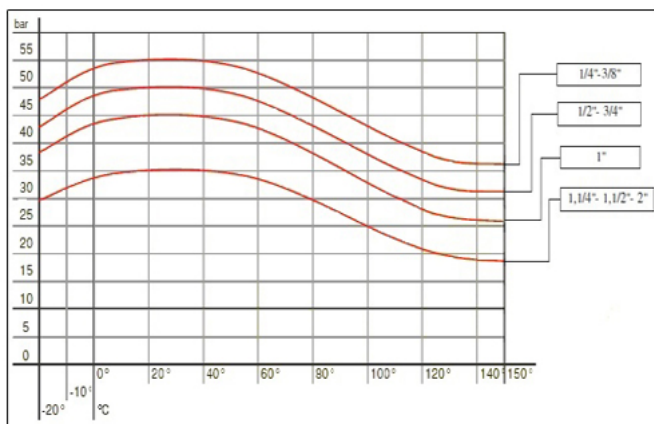


	PART DESCRIPTION	Q.TY	MATERIAL
1	Nickel plated body	1	CW617N
2	Seat	4	PTFE
3	Chrome plated ball	1	CW617N
4	Nickel plated end-cap	3	CW617N
5	Nickel plated stem O-ring design	1	CW614N
6	Nickel plated nut	1	CW614N
7	O-Ring	2	NBR
8	Screw	1	Steel
9	Red handle	1	Aluminum

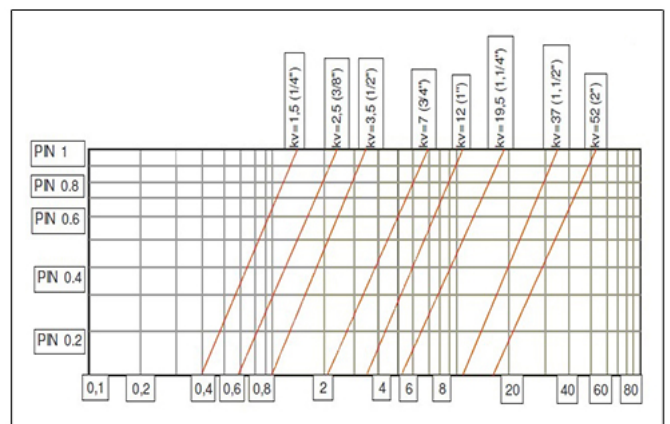


Code	100B00	100C00	100D00	100E00	100F00	100G00	100H00	100I00
	101B00	101C00	101D00	101E00	101F00	101G00	101H00	101I00
D (inch)	1/4	3/8	1/2	3/4	1	1 1/4	1 1/2	2
DN (mm)	10	12	14	18	23	29	36	45
I (mm)	19	19	19	23	25	27	31	36
L (mm)	77	77	77	92	104	118	138	162
G (mm)	75	75	75	91	105	115	128	165
A (mm)	125	125	125	145	170	170	170	260
H (mm)	65	65	65	83	96	102	109	139
CH (mm)	22	22	27	34	41	50	57	70
Kv (m3/h)	1.5	2.5	3.5	7.0	12	19.5	37	52

Pressure-temperature chart



Pressure drop chart



Ask for additional information on the whole range of **RUB** products and consult with your supplier for special applications.
For complete disclaimer: www.rubvalves.com/disclaimer